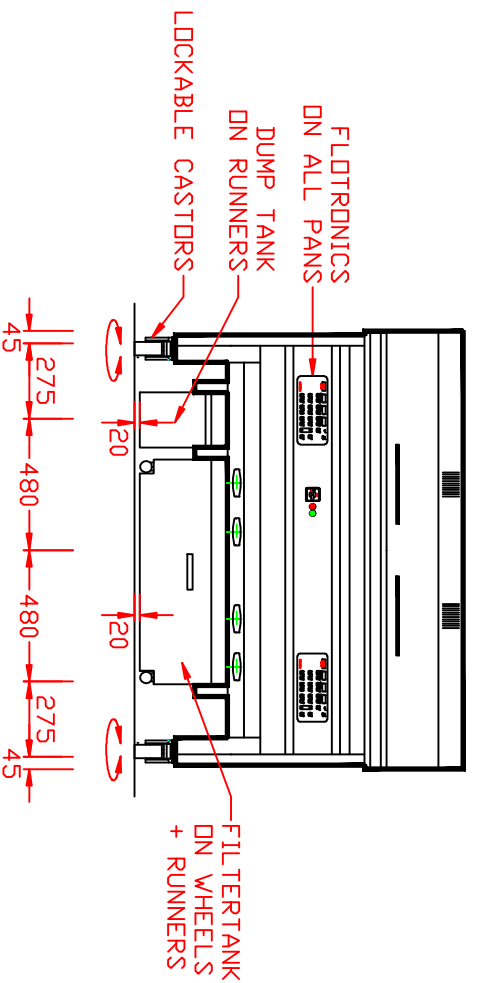
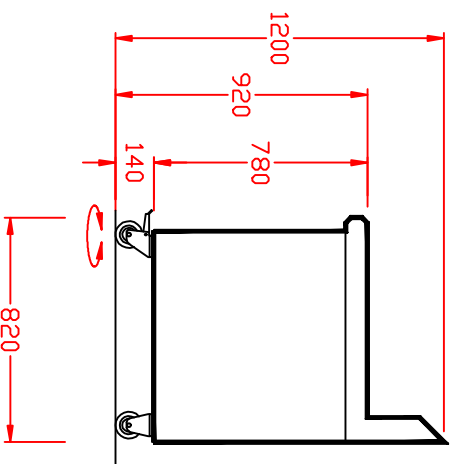


FRONT VIEW





R/H SIDE VIEW



NOMINAL LOADS
GAS: 50 KW 170,000B.Th.U
ELECTRICITY 400V: 0 KW
ELECTRICITY 230V: 0.9 KW
DUCTING SIZE: -
FAN: m <sup>3</sup> /h
COLOR SPECIFICATIONS
FRIER-SIDE (RAL-NO): SPECIALS
Filtration system
Safety cut-out on all pans
Minimum oil level indicators
Separate return pipes
Waste oil dump top

# Florigo Multi Unit on Castors

CODERING		POS. AANT.	BENAMING	MAT.	OPMERKING
OMSCHRIJVING		SCHAAL:	DATUM: 29-08-08	AMPROL.	GET. J. van den End
 <p>Florigo Multi Unit on Castors Electronic Ignition</p>		<p>FLORIGO UK LIMITED REDDITCH B98 9PB TEL. 01527 592000 FAX. 01527 585626</p>			<p>TEKENING NR.: 0817238</p> 
WIJZ.	DAT.	WIJZ.			
3		2			
1					